

Model 6725 Semimicro Bomb Calorimeter, continued

Precise temperature measurements in the 6725 Semimicro Calorimeter are taken with a Parr 6772 Calorimetric Thermometer which is described on page 3. In this application, the thermometer module is included with the calorimeter.

Good Precision

The precision obtainable with the 6725 Calorimeter will depend primarily upon the amount of energy released by the sample. If the release is less than 100 calories, the deviation from the mean will not exceed 1.0 percent of the measured value. With a 400 calorie release, the deviation will be less than 0.4 percent of the mean value.

6725 Semimicro Calorimeter Standardization

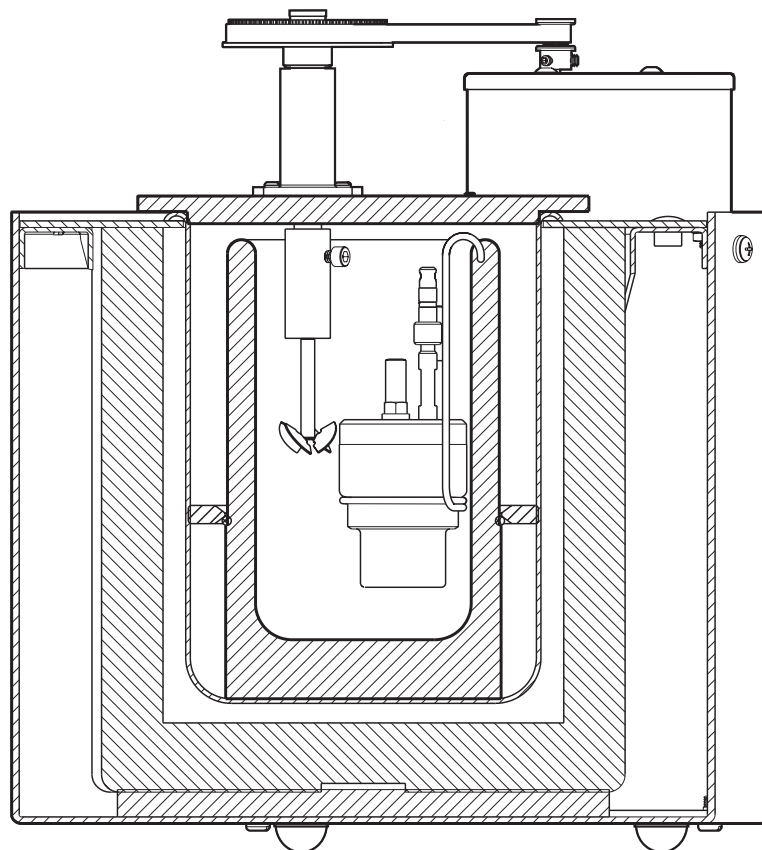
A supply of 0.2 gram standard benzoic acid pellets is provided for standardizing the calorimeter.

Conversion to a Solution Calorimeter

Since the case, thermometer and motor drive for the 6725 Semimicro Calorimeter are the same as used for the 6755 Solution Calorimeter, the semimicro model can be converted to a solution calorimeter by simply replacing the inner parts with solution calorimeter components. Or, semimicro components can be installed in a solution calorimeter case. Conversion parts for these changes are listed on page 11.

Standard Accessories

The 6725 Semimicro Calorimeter is furnished with an attached digital calorimetric thermometer and the following standard parts and accessories:



6725 Calorimeter Cross Section

6725 Standard Parts and Accessories

Model No.	Quantity	Description
1109A	1	Semimicro Oxygen Bomb
1824	1	Oxygen Filling Connection
208AC	1	Inconel Fuel Capsule (Package of 2)
45C10	1	Fuse Wire, 10 cm Card (Package of 3)
3414	1	Vial of 100, 0.2 g Benzoic Acid Pellets

Plus a supply of extra gaskets and sealing rings for the 1109A Bomb and operating instructions for the 6725 Semimicro Calorimeter.

Optional Accessories

Model No.	Description (Select part no. for voltage required)
A535A	Support Stand
1759EA	Printer and Cable, 115V
1759EF	Printer and Cable, 230V
534A	Service Clamp
A2170E	Printer Cable, USB

6725 Ordering Guide

Model No.	Description (Select part no. for voltage required)
6725EA	Semimicro Calorimeter with Standard Accessories, 115V
6725EF	Semimicro Calorimeter with Standard Accessories, 230V